



Initio Dome 4MP

Vandalproof dome Camera with IR and fixed lens



CAMERA

Image Sensor	1/3" Progressive Scan CMOS
Min. Illumination	Color: 0.01 Lux @ (F1.2, AGC ON), 0.018 Lux @ (F1.6, AGC ON), 0 Lux with IR
Shutter speed	1/3 s to 1/100,000 s
Day & Night	yes
WDR	Intellio WDR mode: 120dB

IMAGE

Focal length	2.8 mm
FOV	horizontal: 103°, vertical: 58°
Max. Resolution	2688 × 1520
Stream	50Hz: 25fps (2688 × 1520, 2560 × 1440, 2304 × 1296, 1920 × 1080) 60Hz: 30fps (2688 × 1520, 2560 × 1440, 2304 × 1296, 1920 × 1080)
Day/Night Switch	Auto / Schedule

COMPRESSION

Video Compression	H.265 / H.264 / MJPEG
Video Bit Rate	256 Kbps to 16 Mbps

INTERFACE

Communication Interface	1x RJ45 10M/100M Ethernet port
On-board storage	Built-in Micro SD/SDHC/SDXC slot, up to 128 GB

NETWORK

Protocols	TCP/IP, ICMP, HTTP, HTTPS, FTP, DHCP, DNS, DDNS, RTP, RTSP, RTCP, PPPoE, NTP, UPnP™, SMTP, SNMP, IGMP, 802.1X, QoS, IPv6, Bonjour
Client	Intellio Video System 4

GENERAL

Operating Conditions	-30 °C to +60 °C (-22 °F to +140 °F), Humidity 95% or less (non-condensing)
Power Supply / Consumption	12 VDC / 0.5A, max. 6W PoE (802.3af, 37V to 57V), 0.2A to 0.1A, max. 7.5W
Protection Level	IP67, IK10, TVS 2000V Lightning Protection, Surge Protection and Voltage Transient Protection
Weight	610 g

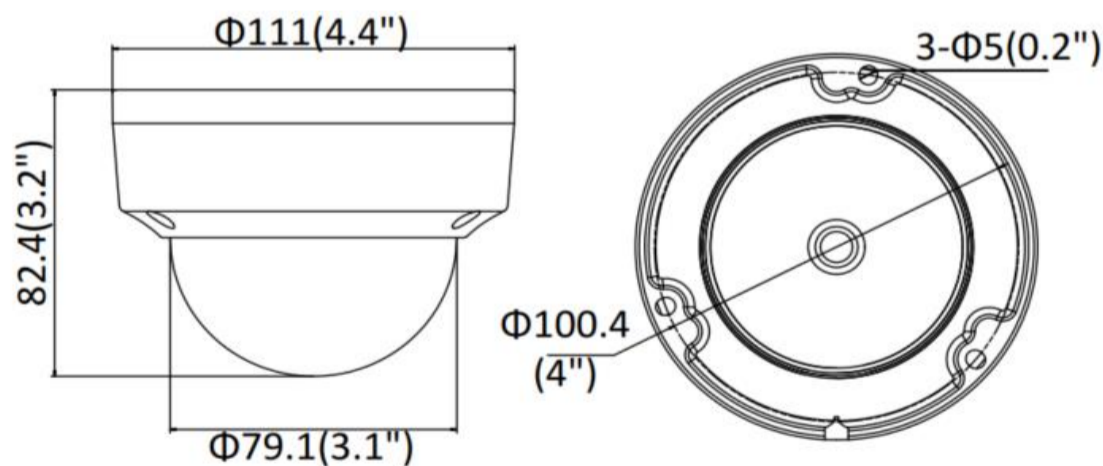
IR ILLIMINATION

IR Range	30 m
Wavelength	850 nm

INTELLIGENT VIDEO

Built in intelligence	Line crossing detection, intrusion detection
-----------------------	--

DIMENSIONS



Unit: mm