

## ILD-BL 315E series datasheet and quick installation guide

Camera	
<b>Image Sensor</b>	1.3 MP 1/3" CMOS Progressive Scan
<b>Sensitivity</b>	Day/Night/LED: 0.5 lux / 0.01 lux / 0 lux
<b>Shutter Time</b>	1/6 s - 1/20,000 s
<b>Day &amp; Night</b>	True
<b>IR Capacity</b>	42 Pieces IR LED, 850 nm, 7 W
Compression	
<b>Video Compression</b>	Intellio Video Codec (IVC), H.264, Motion JPEG
<b>Bit Rate</b>	32 Kbps - 12 Mbps
<b>Streaming</b>	Intellio Video Streaming, Dual streaming over RTSP
Network	
<b>Tamper</b>	Connection Lost Signal, Video Lost Signal
<b>Protocols</b>	FTP, TCP/IPv4, DHCP, DNS
<b>Security</b>	Camera Side User Name and Password
Interface	
<b>Ethernet</b>	10BaseT/100BaseTX, RJ45
<b>Reset Button</b>	Reset To Factory Defaults (IP Address Reset)
General	
<b>Design</b>	IP66 metal enclosure
<b>Operating Condition</b>	IR LED On: -40 - +40 °C IR LED Off: -30 - +55 °C*
<b>Power Supply</b>	10-26 V DC, maximum 1.5 A @ 12 V, maximum 0.7 A @ 24 V
<b>Power Consumption</b>	14 W
<b>Dimensions</b>	275x95x180 mm (HxWxD)
<b>Weight</b>	1300 g
<b>Certificates</b>	EN55022 Class A, EN55024, ROHS compliant

\* Please note the camera does not operate until its inner temperature reaches 10 °C which takes 5 minutes at -25 °C ambient temperature.

### Installation Guide

#### Required tools

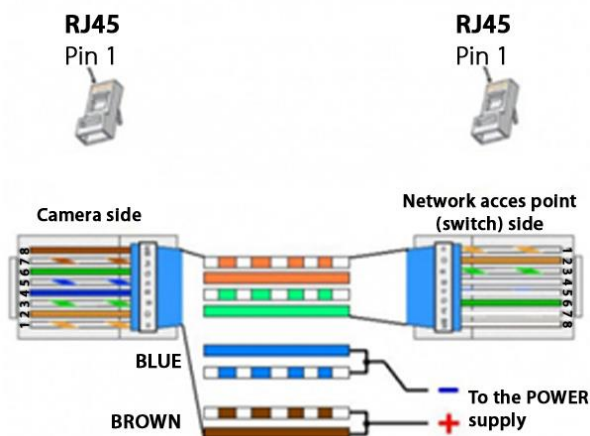
- 16 mm wrench
- Phillips PH0 screwdriver
- slot 3 mm, flat head screwdriver

#### Enclosed items

- Hex key

#### Powering the camera

If you wish to use the factory Y cable, the adapter (DC 10-26 V) feeding the camera has to be plugged in to the jack. You can use your own Cat5e cable, in which case the power feed has to be provided from the other end of the UTP cable.

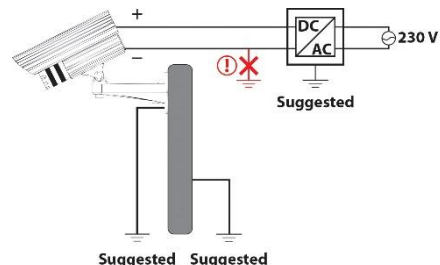


If the power feed is provided using an ILA-PS-12-H-EU type power supply, the cable length\* between the camera and the power supply mustn't be more than 10 meters. If the power feed is provided using an ILA-PS-242-H-

EU type power supply, the cable length\* between the camera and the power supply mustn't be more than 80 meters!  
\*(in case of Cat5e 24AWG).

#### Grounding the camera

It is recommended to ground the camera the following way. Do not ground the negative output of the power supply at the power supply!



If the camera is mounted on a metal pole, then ground the metal pole, in any other case ground the mount of the camera. Gently remove the coat of paint at the tapping hole of the mount, that you intended to ground to achieve better grounding.

#### Adjusting zoom and focus

Twist the front cover of the camera clockwise. To untighten the screws holding the lens use a Phillips PH0 screwdriver.



Before adjusting the focal point set the iris in open position under the *Intellio Client/Video settings* menu (after adjusting the focal point set the iris drive back to automatic). The zoom can be set by means of the T-W axis, while focus can be set using the other axis. The focus can become misadjusted while tightening the screws, which necessitates regularly checking the image until screwing is finished. Tighten the screws holding the axes. Finally, screw the cover back.

#### Adjusting the sunshield

The allowable maximum extrude of sunshield is 1 cm beyond the front of the camera. If it extends farther, spots will appear on the edges of the camera image and the IR light will be reflected back from it, which may result burn-in.



### Rewiring the camera

Remove the sunshield and unscrew the camera housing clockwise, then unscrew the three outer screws on the front cover, again in clockwise direction.



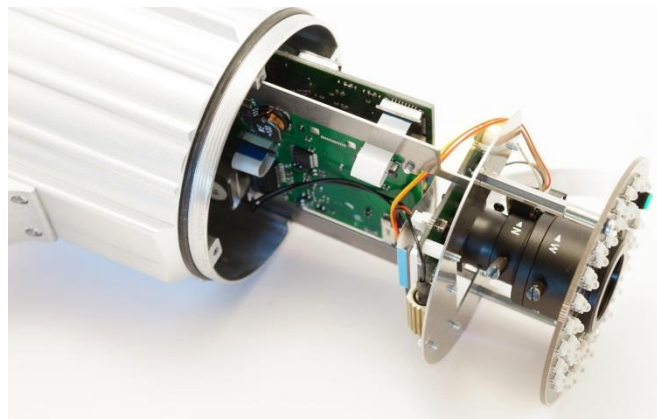
Pull the panel out of the camera housing. Pull out the factory UTP cable, then cut the factory RJ45 plug. Remove the camera mount neck (first remove the console with the hexagonal wrench, then remove the 4 screws with the PH0 screwdriver, finally remove the insulation ring with the flat head screwdriver). Remove the moisture sealing ring with the 16mm wrench.



After removing the factory cable, insert the new UTP cable. Make sure the cable runs through the console, the camera mount neck, the metal housing and the insulation ring, in this order.

If you cannot or do not intend to hide the cable in the console, the cable can be run across the insulation at the bottom of the console.

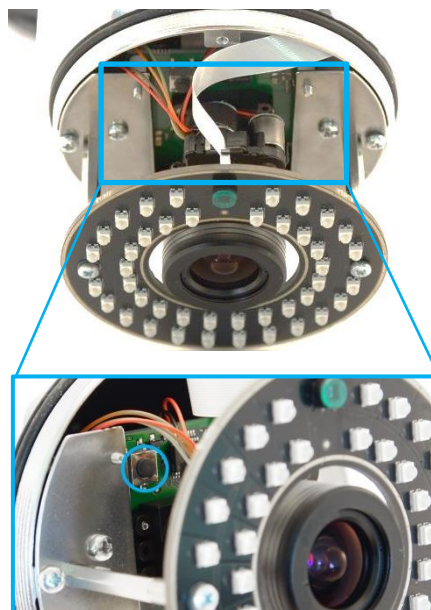
Crimp the new cable (do not coat it with a rubber cable jacket, because there is not enough room for it). Install the camera mount neck, then slide in the panel in a way that the RJ45 plug is placed close to the camera mount neck.



Screw in the front cover, then screw back the outer housing.

### Resetting camera to factory default

If you can't reach the camera on the network, for example its IP address is forgotten or wrong settings had been made, then it is possible to restore default settings. Press and hold the reset button of the camera, till the status LED turns from green to red, then release the reset button. The result of this action is that ALL parameters are set to the default value. (However, the factory settings to take effect, the camera should be removed from IVS2 and registered again, because Intellio Video System 2 is storing and using the former parameters of the camera, hence.) The camera will be reachable approx. 15 seconds later of the restart at the IP address received from the DHCP server (if there is no DHCP server, then it will use the link-local address.)



Intellio provides warranty on its products.  
Please read the warranty terms and conditions at [wiki.intellio.eu](http://wiki.intellio.eu).

**WARNING:**

This is a Class A product. In a domestic environment this product may cause radio interference in which case the user may be required to take adequate measures.

